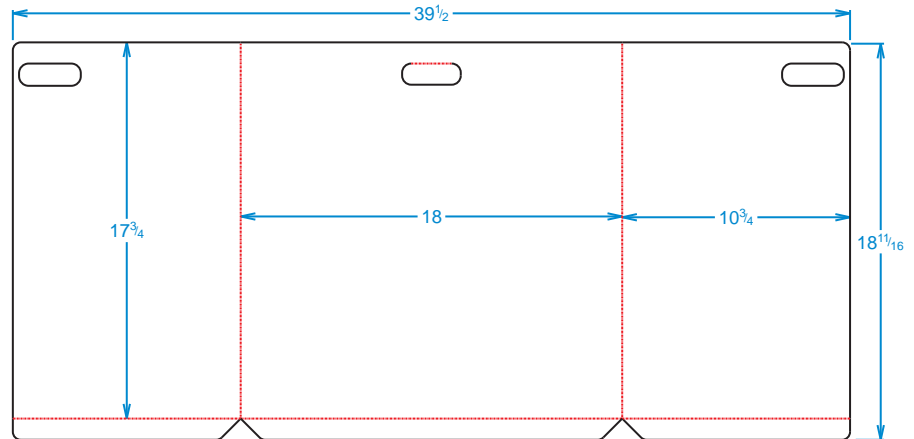
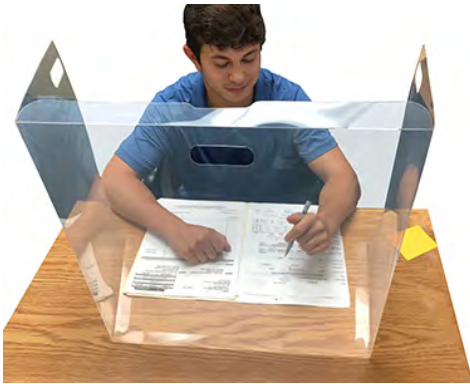




# Clear Desk Shield Barrier - Designed to fit Standard 18" x 24" Student Desks




## Portable Protection

**Made from .018 CLEAR PET**  
PET is 450 microns thick = 0.45mm thick

## Custom Sizes Available

**Front x Side x Height:**  
**18 x 10+3/4 x 17+3/4**

- **Safety - According to CDC Centers for Disease Control & Prevention**  
- Advice for schools maintaining a healthy environment, "Add physical barriers, such as plastic flexible screens, especially when students can not be 6 feet (2 meters) apart".
- **Portable**  
- This Portable Desktop Clear Barrier can be carried from class to class. This lightweight shield has die-cut handles so that the protective desk shield can be carried from class to class or location of choice.
- **Standard Desk Fit**  
- This desk shield barrier is designed to fit a **standard 18" x 24" student desk**. We can also custom design and manufacture to your specifications.
- **Re-usable / Washable**  
- The Clear Shield can be cleaned and sanitized regularly with most cleaning agents.
- **Economical**  
- Our design is very efficient, making it very cost effective and economical
- **Easy**  
- An easy way to ensure safety in a shared space without permanently damaging or altering desks
- **Stays in Place!**  
- A semi-permanent, cleanable, re-usable adhesion system to keep the desk shield upright and in place

Packing: 60 Desk Shields per case  
20 x 18 x 4", box weighs 40.48 lbs.  = 1 carton

### Manufacturing Facilities:

555 Raymond Drive  
Islandia, NY 11749 USA  
631-234-4300

3478 Ashby,  
St. Laurent, QC H4R 2C1 Canada  
514-335-1775

